



Specifications

**Material:**  
All aluminum construction. 1100 series spun aluminum head. Hardware is stainless steel or zinc-plated steel.

**Mounting:**  
Flush Mount to Ø4" 0.188" (3/16") Aluminum Pole or 0.1793" (7ga) Steel Pole.

**Drivers:**  
Universal Voltage 120-277V is standard. 0-10V dimming is standard. (Refer to Driver Specification section for other specifications)

**Dark Sky Friendly:**  
To maintain dark sky friendly compatibility: ≤ 3000K

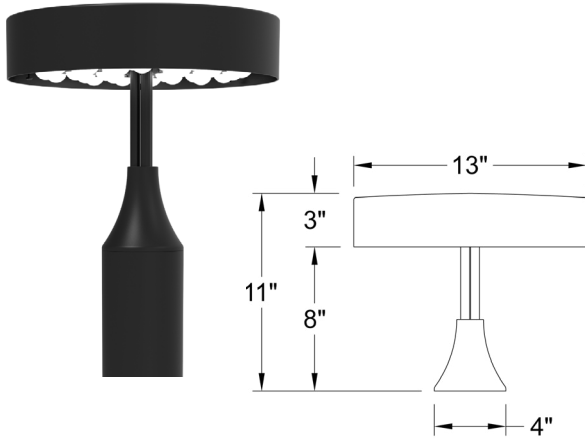
**Electrical:**  
A lightning surge protective device is standard (20KA<sup>3</sup> Max/10KA<sup>2</sup> Nominal). Approximately 12" of pull wire extends from luminaire. All luminaires are prewired with 0-10V dimming leads.

**Finish:**  
A polyester powder coat high quality finish. Marine grade finish is available.

**Certifications:**  
UL Listed for outdoor, wet location.

**Modifications:**  
Consult factory for custom or modified designs.

**Buy American:**  
This product is assembled in the USA and meets the Buy America(n) government procurement requirements under FAR, DFARS, and DOT regulations. [Click here for additional information.](#)



SYP13ST LED

EPA: 0.30  
Weight: 7.0 lbs

Catalog Logic

SYP13ST CPM20W18 T2 27K FM4 72

Luminaire Series Light Source & Wattage Optics CCT Mounting Source Accessory Finish

Catalog Number	1	2	3	4	5	6
SYP13ST						

**1 LIGHT SOURCE & WATTAGES**

TIR Performance Platform

CPM20W18 (20W TIR Performance Platform)
CPM30W18 (30W TIR Performance Platform)
CPM39W18 (39W TIR Performance Platform, CA Title 24)
CPM46W18 (46W TIR Performance Platform)
CPM78W30 (78W TIR Performance Platform)

**2 OPTICS**

T2 (Type II)
T3 (Type III)
T4 (Type IV)
T5 (Type V)

**3 CCT (COLOR TEMPERATURE)**

27K (2700K)
30K (3000K)
35K (3500K)
40K (4000K)
AMB (590nm True Amber)
*Consult Factory for 5000K

**4 MOUNTING SOURCE**

FM4 (Flush Mount to Ø4" ANP Pole)
-----------------------------------

**5 ACCESSORIES**

HSS180-SYP13 (180° House Side Shield)
EMG-LEDS30 (30W LED Emergency Driver, Wet Location Rated)
HLMSPC-06 (On/Off Motion Sensor/Photocell, High/Low field-configurable; 15' - 30' Sensor Mounting Height)
HLMSPC-10 (On/Off Motion Sensor/Photocell, High/Low field-configurable; 8' - 15' Sensor Mounting Height)
PC (Button Photo Cell)
TLPC (ANSI C136.41 Twist Lock Photocell, includes receptacle and 120-277V photo cell)
TL5 (ANSI C136.41 5-Pin Twist Lock Receptacle only)
TL7 (ANSI C136.41 7-Pin Twist Lock Receptacle only)
AD (AstroDIM™ - Night-time dimming, consult factory)
FAID (Field Adjustable Internal Dimmer)
FM40 (STYLO Flush-mount to Ø4" pole by others, includes driver assembly)
*Most Emergency Drivers are remote mount only (consult factory). 10W & 30W Emergency Drivers are not compatible with all LED Light Source and Wattages. For percent lumens in emergency mode, see <a href="#">Technical Section</a>

**6 FINISHES**

\*Premium and Marine Grade Finish have additional charges

Standard Colors	Standard Grade	Marine Grade*	Standard Colors	Standard Grade	Marine Grade*
Aspen Green	10	10M	Copper Clay	53	53M
Cantaloupe	11	11M	Silver	56	56M
Lilac	12	12M	Black Verde	61	61M
Putty	13	13M	Painted Chrome	70	70M
Weathered Copper	29	29M	Painted Copper	71	71M
Raw Unfinished	40	NA	Textured Black	72	72M
Black	41	41M	Matte Black	73	73M
Forest Green	42	42M	Textured Architectural Bronze	76	76M
Bright Red	43	43M	Textured White	77	77M
White	44	44M	Textured Silver	78	78M
Bright Blue	45	45M	<b>PREMIUM FINISH</b>	<b>Premium Grade*</b>	<b>Marine Grade*</b>
Sunny Yellow	46	46M	Textured Desert	80	80M
Aqua Green	47	47M	Graystone	82	82M
Galvanized	49	NA	Oil Rubbed Bronze	83	83M
Navy	50	50M	Carbon Graphite	96	96M
Architectural Bronze	51	51M			
Patina Verde	52	52M			

Consult Factory for additional paint charges and availability.

Project Name: \_\_\_\_\_

Fixture Type: \_\_\_\_\_ Quantity: \_\_\_\_\_

Customer: \_\_\_\_\_

TIR PERFORMANCE PLATFORM SPECIFICATION
• Performance, Ceramic-cooling technology
• Distributions: Type II, III, IV, V
• CCT: 2700K, 3000K, 3500K, 4000K
• Life: L70 >50,000 hours
• Ingress Protection: IP66
• Certification: ETL
• CRI: >80, 3 SDCM

DRIVER SPECIFICATION
• Universal Input 120-277V
• 0-10V Dimming to 10%
• Power Factor @ Full Load >95%
• THD @ Full Load <10%
• Constant Current Output 50/60Hz
• Operating Temperature: -40°C Minimum
• Ingress Protection: IP66
• Ingress Protection: IP66
• Certifications: UL Recognized, CE

FINISHES
• A polyester powder coat high quality finish is electro-statically applied and baked at 430° for exceptional durability and color retention. Products undergo an intensive five-step cleansing and pretreatment process for maximum paint adhesion. 5-year warranty for aluminum products. 2-year warranty for steel products.
• Marine grade finish provides superior salt, humidity and UV protection. This coating withstands up to 3,000 hours of continuous salt spray and is available in either a textured or gloss surface. 5-year warranty for aluminum products. 2-year warranty for steel products.

WARRANTY
See <a href="http://www.ANPlighting.com">www.ANPlighting.com</a> for complete fixture warranty.
LED warranty information
• 5 year limited warranty*
• *Limited Warranty: A typical year is defined as 4,380 hours of operation.

**ACCESSORIES**



HSS180-SYP13



EMG-LED



HLMSPC-06 & HLMSPC-10



PC



TLPC



TL5 & TL7



FAID

**FINISHES COLORS**

STANDARD
WHITE
TEXTURED WHITE
SILVER
PAINTED CHROME
PAINTED GALVANIZED
PUTTY
TEXTURED SILVER
TEXTURED BLACK
MATTE BLACK
BLACK
BLACK VERDE
PATINA VERDE
FOREST GREEN
AQUA GREEN
ASPEN GREEN
BRIGHT BLUE
NAVY
SUNNY YELLOW
CANTALOUPE
LILAC
BRIGHT RED
PAINTED COPPER
COPPER CLAY
WEATHERED COPPER
ARCHITECTURAL BRONZE
TEXTURED ARCHITECTURAL BRONZE

PREMIUM
EXTREME CHROME
TEXTURED DESERT STONE
BUTTERSCOTCH
CARAMEL
CANDY APPLE RED
COBALT BLUE
GRAYSTONE
GUNMETAL GRAY
BLACK SILVER
OIL RUBBED BRONZE
CARBON GRAPHITE
ARCTIC SILVER
HIGH GLOSS BLACK
MAYAN GOLD