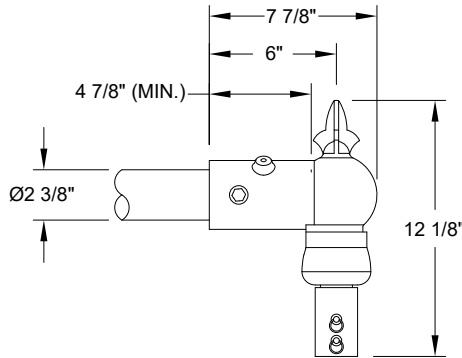


Project: _____
 Fixture Type: _____ Quantity: _____
 Customer: _____



Specifications

Material:
 Durable A356 cast aluminum, 6061 extruded aluminum and sheet metal. Hardware is stainless steel or zinc plated steel.

Fixture Mounting:
 Hang-straight ball/swivel with $\pm 10^\circ$ of articulation. Dual clevis pins to tenon plus two locking set screws.

Post Arm Mounting:
 Thru-bolt plus set screws. Can mount to $\text{Ø}2\text{-}3/8"$ arm by others with a minimum 4-7/8" straight length.

Finish:
 A polyester powder coat high quality finish. Marine grade finish is available.

Buy American:
 This product is assembled in the USA and meets the Buy America(n) government procurement requirements under FAR, DFARS, and DOT regulations. [Click here for additional information.](#)

PA-BFS2

Hang-straight ball fitter.

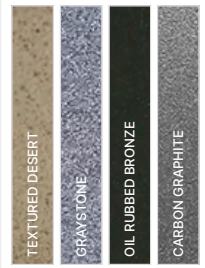
PA-BFS2	EPA 0.26	Weight 4.0 lbs.
---------	-------------	--------------------

FINISHES COLORS

STANDARD



PREMIUM



FINISHES

- A polyester powder coat high quality finish is electro-statically applied and baked at 430°F for exceptional durability and color retention. Products undergo an intensive five-step cleansing and pretreatment process for maximum paint adhesion.
- Marine grade finish provides superior salt, humidity and UV protection. This coating withstands up to 3,000 hours of continuous salt spray, comes with a 5-year warranty and is available in either a textured or gloss surface.

WARRANTY

See www.ANPlighting.com for complete fixture warranty.

LED warranty information

- 5 year limited warranty*
- *Limited Warranty: A typical year is defined as 4,380 hours of operation.