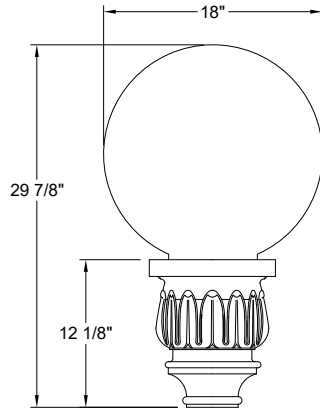




Project: _____

Fixture Type: _____ Quantity: _____

Customer: _____



Specifications

Material:
Fitter is durable 356 cast aluminum.
All hardware provided shall be stainless steel or zinc plated steel.

Globe:
Impact-resistant Polycarbonate.

Mounting:
Mounts natively to Ø3" or Ø4" pole or tenon.
Consult factory for other options.

Drivers:
Universal Voltage 120-277V is standard. 0-10V, TRIAC & ELV (1%) dimming is standard. (Refer to Driver Specification section for other specifications)

Electrical:
A lightning surge protective device is standard (20KA² Max/10KA² Nominal). Approximately 12" of pull wire extends from luminaire. All luminaires are prewired with 0-10V dimming leads. Line Voltage leads are 14ga, dimming leads are 18ga.

Finish:
A polyester powder coat high quality finish.
Marine grade finish is available.

Certifications:
UL Listed for outdoor, wet location. LED and Driver are IP66.

Modifications:
Consult factory for custom or modified designs.

Buy American:
This product is assembled in the USA and meets the Buy America(n) government procurement requirements under FAR, DFARS, and DOT regulations. [Click here for additional information.](#)

LF0118 LED

Weight: 18.5 lbs.
EPA: 1.38

Catalog Logic



| Catalog Number | | 1 | 2 | 3 | 4 | 5 | 6 | 7 | 8 |
|----------------|--|---|---|---|---|---|---|---|---|
| LF0118 | | | | | | | | | |

| 1 | GLOBE |
|-------------------------------|-------|
| CL (Clear Polycarbonate) | |
| FR (Frosted Polycarbonate) | |
| WH (White Opal Polycarbonate) | |

| 2 | LIGHT SOURCE AND WATTAGES |
|-----------------------------|---------------------------|
| AM10WD (10W ANP Module COB) | |
| AM20WD (20W ANP Module COB) | |
| AM30WD (30W ANP Module COB) | |
| AM40WD (40W ANP Module COB) | |

| 3 | CCT (COLOR TEMPERATURE) |
|--------------------------------------|-------------------------|
| 27K (2700K) | |
| 30K (3000K) | |
| 35K (3500K) | |
| 40K (4000K) | |
| *Consult Factory for 5000K and Amber | |

| 4 | MOUNTING SOURCE |
|-------------------------------------|-----------------|
| S3 (Slips over Ø3" Pole or Tenon) | |
| S4 (Slips over Ø4" Pole or Tenon) | |
| OM (Other Mounting, Please Specify) | |

| 5 | OPTIONAL FINIALS |
|-------------------------|------------------|
| FINIAL 02 (Finial 02) | |
| FINIAL 04 (Finial 04) | |
| FINIAL 05 (Finial 05) | |
| FINIAL 12 (Finial 12) | |
| FINIAL 13 (Finial 13) | |
| FINIAL 32 (Finial 32) | |
| FINIAL 35 (Finial 35) | |
| FINIAL 46 (Finial 46) | |
| FINIAL 63 (Finial 63) | |
| FINIAL 113 (Finial 113) | |

| 6 | OPTIONAL CAGE |
|------------------|---------------|
| CAGE #94 Cage 94 | |

| 7 | ACCESSORIES |
|---|-------------|
| *EMG-LED10.7 (10.7W LED Emergency Driver, See Below For Compatibility) | |
| *EMG-LED17 (17W LED Emergency Driver, See Below For Compatibility) | |
| **HLMSPC-06 (On/Off Motion Sensor/Photocell, High/Low field-configurable; 15' - 30' Sensor Mounting Height) | |
| **HLMSPC-10 (On/Off Motion Sensor/Photocell, High/Low field-configurable; 8' - 15' Sensor Mounting Height) | |
| PC (Button Photo Cell) | |
| **TLPC (ANSI C136.41 Twist Lock Photocell, includes receptacle and 120-277V photo cell) | |
| **TL5 (ANSI C136.41 5-Pin Twist Lock Receptacle only) | |
| **TL7 (ANSI C136.41 7-Pin Twist Lock Receptacle only) | |
| FAID (Field Adjustable Internal Dimmer) | |
| *Most Emergency Drivers are remote mount only (consult factory). 10W & 30W Emergency Drivers are not compatible with all LED Light Source and Wattages. For percent lumens in emergency mode, see Technical Section | |
| ** Not integral to luminaire - requires additional product such as arm or pole. | |

| 8 FINISHES | | | | | |
|---|----------------|---------------|-------------------------------|-----------------------|----------------------|
| *Premium and Marine Grade Finish have additional charges | | | | | |
| Standard Colors | Standard Grade | Marine Grade* | Standard Colors | Standard Grade | Marine Grade* |
| Aspen Green | 10 | 10M | Copper Clay | 53 | 53M |
| Cantaloupe | 11 | 11M | Silver | 56 | 56M |
| Lilac | 12 | 12M | Black Verde | 61 | 61M |
| Putty | 13 | 13M | Painted Chrome | 70 | 70M |
| Raw Unfinished | 40 | NA | Painted Copper | 71 | 71M |
| Black | 41 | 41M | Textured Black | 72 | 72M |
| Forest Green | 42 | 42M | Matte Black | 73 | 73M |
| Bright Red | 43 | 43M | Textured Architectural Bronze | 76 | 76M |
| White | 44 | 44M | Textured White | 77 | 77M |
| Bright Blue | 45 | 45M | Textured Silver | 78 | 78M |
| Sunny Yellow | 46 | 46M | PREMIUM FINISH | Premium Grade* | Marine Grade* |
| Aqua Green | 47 | 47M | Textured Desert | 80 | 80M |
| Galvanized | 49 | NA | Graystone | 82 | 82M |
| Navy | 50 | 50M | Oil Rubbed Bronze | 83 | 83M |
| Architectural Bronze | 51 | 51M | Carbon Graphite | 96 | 96M |
| Patina Verde | 52 | 52M | | | |
| Consult Factory for additional paint charges and availability. | | | | | |

Project: _____
 Fixture Type: _____ Quantity: _____
 Customer: _____

| PERFORMANCE TABLE - ANP MODULE - CLEAR GLOBE - DELIVERED LUMENS | | | | | | | | | | | | | | | | | | | | | | |
|---|-------|--------------|------------------|------|---|---|-------|------------------|------|---|-------|---|------------------|------|-------|---|---|------------------|------|---|---|---|
| LED CATALOG | WATTS | DISTRIBUTION | 2700K | | | | 3000K | | | | 3500K | | | | 4000K | | | | | | | |
| | | | DELIVERED LUMENS | lm/W | B | U | G | DELIVERED LUMENS | lm/W | B | U | G | DELIVERED LUMENS | lm/W | B | U | G | DELIVERED LUMENS | lm/W | B | U | G |
| AM10WD | 10W | TYPE V | 938 | 94 | 0 | 4 | 1 | 975 | 98 | 0 | 4 | 1 | 989 | 99 | 0 | 4 | 1 | 990 | 99 | 0 | 4 | 1 |
| AM20WD | 20W | TYPE V | 1876 | 94 | 0 | 5 | 1 | 1951 | 98 | 0 | 5 | 1 | 1978 | 99 | 0 | 5 | 1 | 1980 | 99 | 0 | 5 | 1 |
| AM30WD | 30W | TYPE V | 2815 | 94 | 0 | 5 | 1 | 2926 | 98 | 0 | 5 | 1 | 2967 | 99 | 0 | 5 | 1 | 2970 | 99 | 0 | 5 | 1 |
| AM40WD | 40W | TYPE V | 3753 | 94 | 1 | 5 | 2 | 3901 | 98 | 1 | 5 | 2 | 3956 | 99 | 1 | 5 | 2 | 3960 | 99 | 1 | 5 | 2 |

| PERFORMANCE TABLE - ANP MODULE - FROSTED GLOBE - DELIVERED LUMENS | | | | | | | | | | | | | | | | | | | | | | |
|---|-------|--------------|------------------|------|---|---|-------|------------------|------|---|-------|---|------------------|------|-------|---|---|------------------|------|---|---|---|
| LED CATALOG | WATTS | DISTRIBUTION | 2700K | | | | 3000K | | | | 3500K | | | | 4000K | | | | | | | |
| | | | DELIVERED LUMENS | lm/W | B | U | G | DELIVERED LUMENS | lm/W | B | U | G | DELIVERED LUMENS | lm/W | B | U | G | DELIVERED LUMENS | lm/W | B | U | G |
| AM10WD | 10W | TYPE V | 871 | 87 | 1 | 3 | 1 | 906 | 91 | 1 | 3 | 1 | 919 | 92 | 1 | 3 | 1 | 919 | 92 | 1 | 3 | 1 |
| AM20WD | 20W | TYPE V | 1743 | 87 | 1 | 4 | 1 | 1812 | 91 | 1 | 4 | 1 | 1837 | 92 | 1 | 4 | 1 | 1839 | 92 | 1 | 4 | 1 |
| AM30WD | 30W | TYPE V | 2614 | 87 | 1 | 5 | 2 | 2718 | 91 | 1 | 5 | 2 | 2756 | 92 | 1 | 5 | 2 | 2758 | 92 | 1 | 5 | 2 |
| AM40WD | 40W | TYPE V | 3486 | 87 | 1 | 5 | 2 | 3623 | 91 | 1 | 5 | 2 | 3674 | 92 | 1 | 5 | 2 | 3678 | 92 | 1 | 5 | 2 |

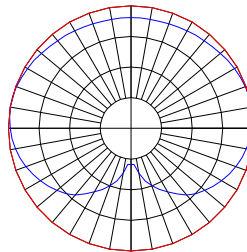
| PERFORMANCE TABLE - ANP MODULE - WHITE GLOBE - DELIVERED LUMENS | | | | | | | | | | | | | | | | | | | | | | |
|---|-------|--------------|------------------|------|---|---|-------|------------------|------|---|-------|---|------------------|------|-------|---|---|------------------|------|---|---|---|
| LED CATALOG | WATTS | DISTRIBUTION | 2700K | | | | 3000K | | | | 3500K | | | | 4000K | | | | | | | |
| | | | DELIVERED LUMENS | lm/W | B | U | G | DELIVERED LUMENS | lm/W | B | U | G | DELIVERED LUMENS | lm/W | B | U | G | DELIVERED LUMENS | lm/W | B | U | G |
| AM10WD | 10W | TYPE V | 792 | 79 | 0 | 3 | 1 | 824 | 82 | 0 | 3 | 1 | 835 | 84 | 0 | 3 | 1 | 836 | 84 | 0 | 3 | 1 |
| AM20WD | 20W | TYPE V | 1584 | 79 | 1 | 4 | 1 | 1647 | 82 | 1 | 4 | 1 | 1670 | 84 | 1 | 4 | 1 | 1672 | 84 | 1 | 4 | 1 |
| AM30WD | 30W | TYPE V | 2377 | 79 | 1 | 5 | 2 | 2471 | 82 | 1 | 5 | 2 | 2505 | 84 | 1 | 5 | 2 | 2508 | 84 | 1 | 5 | 2 |
| AM40WD | 40W | TYPE V | 3169 | 79 | 1 | 5 | 2 | 3294 | 82 | 1 | 5 | 2 | 3340 | 84 | 1 | 5 | 2 | 3344 | 84 | 1 | 5 | 2 |

GLOBE POLAR CURVES

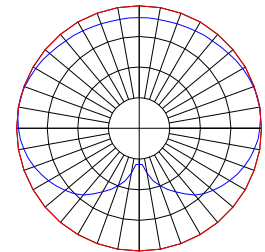
CL Globe - Polar Curves



FR Globe - Polar Curves



WH Globe - Polar Curves



| MODULE SPECIFICATION |
|---|
| • CREE XLAMP™ CMU |
| • Typical Efficacy 110 lm/W |
| • CCT: 2700K, 3000K, 3500K, 4000K |
| • CRI: >90 |
| • 3-Step Ellipse |
| • Ingress Protection: IP66 |
| • Certifications: UL Recognized, RoHS, ENEC |

| DRIVER SPECIFICATION |
|---|
| • Universal Input: 120-277V |
| • Dimming: 0-10V, TRIAC, ELV (Dims to 1%) |
| • Power Factor @ Full Load >90% |
| • THD @ Full Load <20% |
| • Constant Current Output 50/60Hz |
| • Operating Temperature: -30°C Minimum |
| • Lifetime: >50,000 hours |
| • Ingress Protection: IP66 |
| • Certifications: UL Recognized, CE |

Project: _____
 Fixture Type: _____ Quantity: _____
 Customer: _____

FINISHES

- A polyester powder coat high quality finish is electro-statically applied and baked at 430° for exceptional durability and color retention. Products undergo an intensive five-step cleansing and pretreatment process for maximum paint adhesion. 5-year warranty for aluminum products. 2-year warranty for steel products.
- Marine grade finish provides superior salt, humidity and UV protection. This coating withstands up to 3,000 hours of continuous salt spray and is available in either a textured or gloss surface. 5-year warranty for aluminum products. 2-year warranty for steel products.

WARRANTY

See www.ANPlighting.com for complete fixture warranty.

LED warranty information

- 5 year limited warranty*
- *Limited Warranty: A typical year is defined as 4,380 hours of operation.

CAGE



CAGE 94

ACCESSORIES



EMG-LED



HLMSPC-06 & HLMSPC-10



PC



TLPC



TL



TL5 & TL7

POPULAR POST ARMS



PA5151 / 14 1/4" x 19 3/4"



PA5171 / 15 1/4" x 25 5/8"



PA5411 / 17 7/8" x 25 1/8"



PA5621 / 19" x 26 1/4"



PA5651 / 20" x 26 1/4"



PA6211 / 22 3/4" x 26 1/2"



PA7911 / 20" x 20 5/8"



PA8031 / 20 1/2" x 20 1/4"



PA8521 / 18 1/4" x 14 1/2"



PA8571 / 24" x 47"



PA8711 / 20" x 20 3/8"



PA8831 / 18 7/8" x 18 7/8"

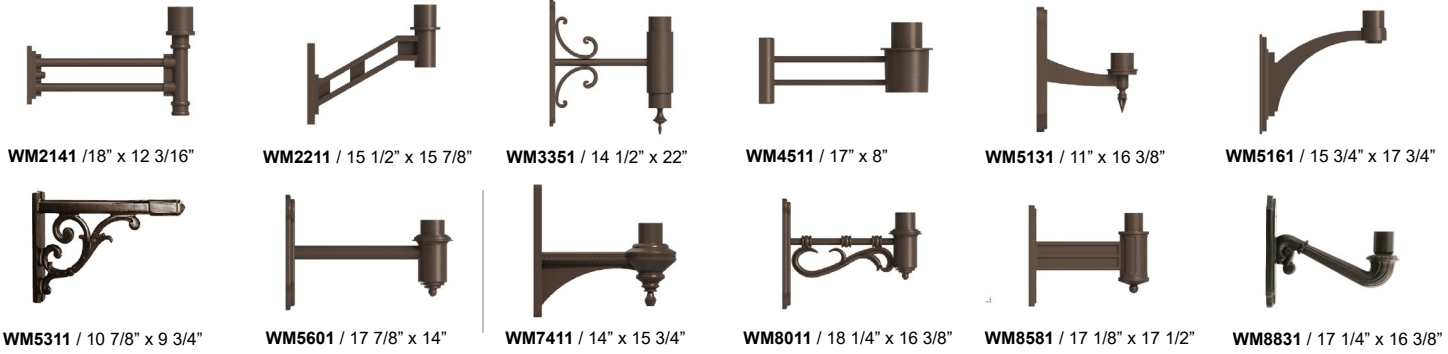
COLUMN MOUNT



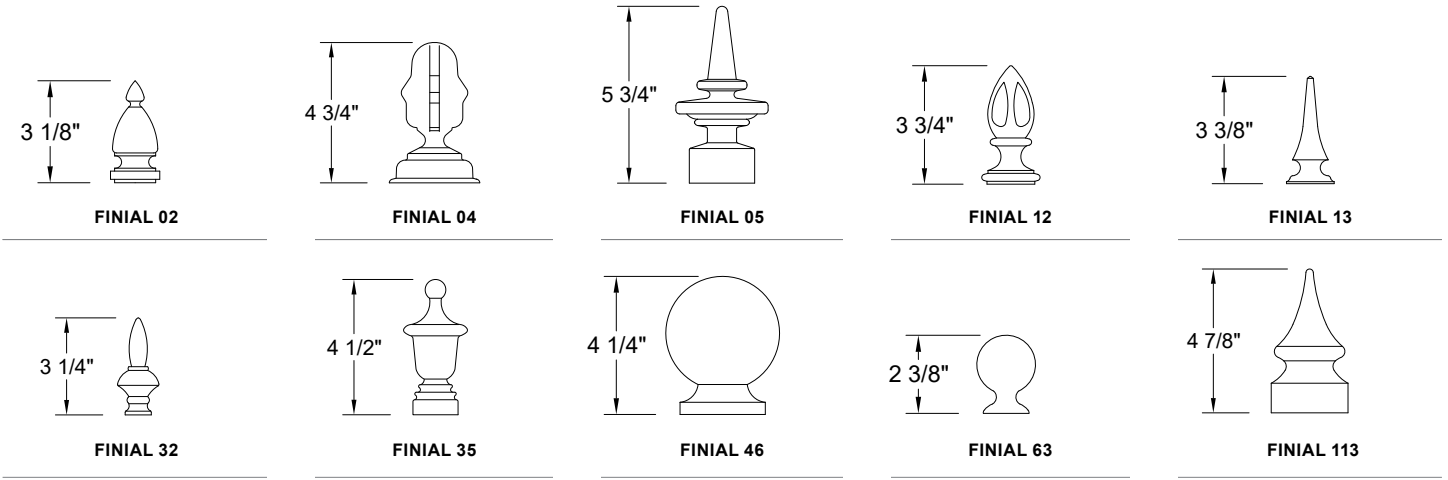
CM / 5 3/4" SQ x 3 1/2" H

Project: _____
 Fixture Type: _____ Quantity: _____
 Customer: _____

POPULAR WALL MOUNTS



POPULAR FINIALS



FINISHES COLORS

