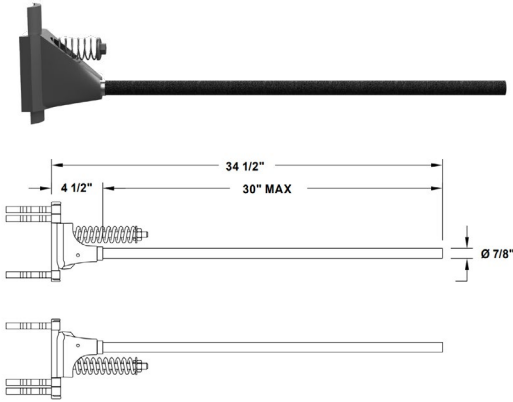




Project Name: _____

Fixture Type: _____ Quantity: _____

Customer: _____



Specifications

General:
Spring-loaded banner arm dramatically increases maximum allowable banner size. For banners up to 20 square feet. Windtunnel tested to withstand NWS-rated, tornado-force winds. Reduces stress on poles and banners. Fiberglass arm can be cut-to-length in field.

Material:
Pole clamp is cast aluminum. Arms are black fiberglass, natural finish. Pole straps are stainless steel.

Finish:
A polyester powder coat high quality finish.

Buy American:
This product is assembled in the USA and meets the Buy America(n) government procurement requirements under FAR, DFARS, and DOT regulations. [Click here](#) for additional information.

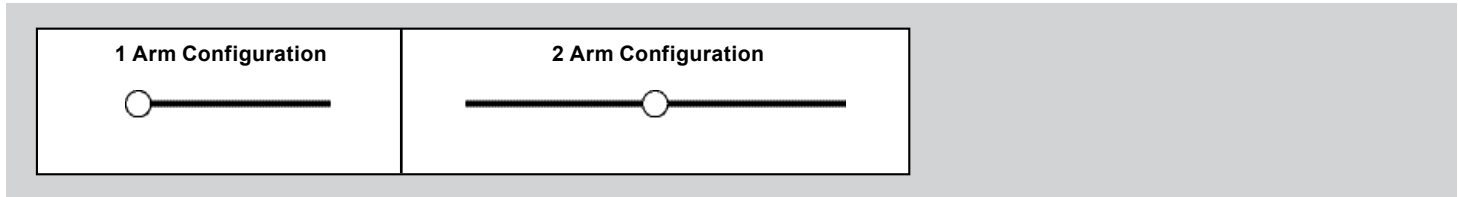
Other:
Please consult factory regarding maximum allowable banner size for your pole application. Please consult factory if for use with tapered poles.

BSL Bannersaver™ Large Sold in Pairs

EPA: 0.46
Weight: 6 lbs.

Catalog Logic						
BSL	1	4	24	B	HD	41
Banner Arm Series	Arm Configuration	Pole Diameter	Banner Width	Mounting Style	Mounting Hardware	Standard Finish

Catalog Number	1	2	3	4	5	6	7
BSL							



1	ARM CONFIGURATION
1	(1 Arm Configuration)
2	(2 Arm Configuration)

2	POLE DIAMETER
3	(3" Diameter)
4	(4" Diameter)
5	(5" Diameter)
6	(6" Diameter)
7	(7" Diameter)

3	BANNER WIDTH
18	(18")
24	(24")
30	(30")
	Other, Please Specify

4	MOUNTING STYLE
B	(Bolt-on)
S	(Strap-on)

5	MOUNTING HARDWARE (For Bolt-on Mounting Style Only)
	BSS BAND HD (Heavy Duty Banding Set), suggested for square poles

6	ACCESSORIES
	HD TOOL (Heavy Duty Banding Tool)

7	FINISHES					
	*Premium and Marine Grade Finish have additional charges					
	Standard Colors	Standard Grade	Marine Grade	Standard Colors	Standard Grade	Marine Grade*
	Aspen Green	10	10M	Navy	50	50M
	Cantaloupe	11	11M	Architectural Bronze	51	51M
	Lilac	12	12M	Patina Verde	52	52M
	Putty	13	13M	Copper Clay	53	53M
	Raw Unfinished	40	NA	Silver	56	56M
	Black	41	41M	Black Verde	61	61M
	Forest Green	42	42M	Painted Chrome	70	70M
	Bright Red	43	43M	Painted Copper	71	71M
	White	44	44M	Textured Black	72	72M
	Bright Blue	45	45M	Matte Black	73	73M
	Sunny Yellow	46	46M	Textured Architectural Bronze	76	76M
	Aqua Green	47	47M	Textured White	77	77M
	Galvanized	49	NA	Textured Silver	78	78M

FINISHES

A polyester powder coat high quality finish is electro-statically applied and baked at 430° for exceptional durability and color retention. Products undergo an intensive five-step cleansing and pre-treatment process for maximum paint adhesion. Marine grade finish provides superior salt, humidity and UV protection. This coating withstands up to 3,000 hours of continuous salt spray.

WARRANTY

ANP Lighting warrants our standard high-quality finishes are processed and treated to create a lasting protection. ANP Lighting does not warrant paint and material finishes when Product(s) is installed in a salt air coastal application unless the product(s) is ordered with Optional Marine Grade Powder Coat Finish. Warranty for either paint option is five (5) years from date of shipment.

Project Name: _____

Fixture Type: _____ Quantity: _____

Customer: _____

MOUNTING HARDWARE AND ACCESSORIES

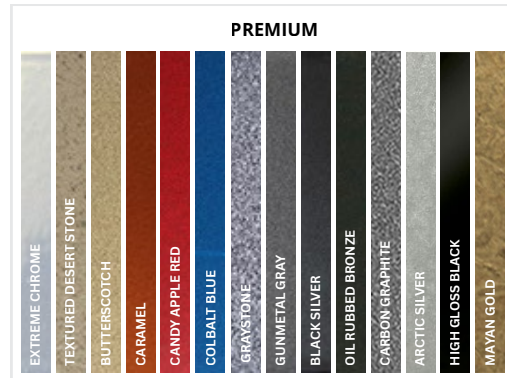


HD BAND



HD TOOL

FINISHES COLORS



POLE APPLICATIONS AND CONFIGURATIONS

BSS-1-4-24-B
 Bannersaver Standard
 1 Arm Configuration
 4" Pole
 24" Banner
 Bolt-on
 Purchase Quantity: 1

BSS-2-4-24-S
 Bannersaver Standard
 2 Arm Configuration
 4" Pole
 24" Banner
 Strap-on
 Purchase Quantity: 1

