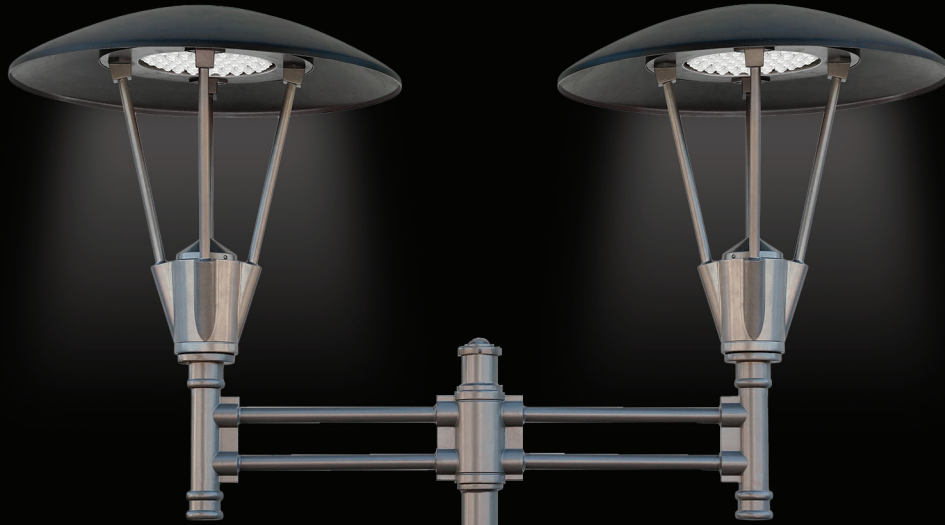


LA210 Series

ANPLighting Site Lighting Collection



LED Technologies

Performance TIR Optics | Edge-lit LED Comfort Solution





LA2101



LA2111



LA2121



LA2131

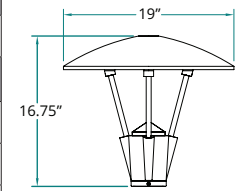
A sleek, contemporary architectural lighting solution featuring high-performance TIR optics and Edge-Lit Comfort LED technology. The modern, minimalist design of the LA210 Series is a striking addition to streetscapes, pedestrian areas, parks, commercial developments, and multifamily communities.

With its four sturdy struts connected to a large, heavy-duty spun aluminum hood and solid cast base, the LA210 ensures a low profile and long-lasting durability. Available in four sizes, this collection offers energy-efficient lighting with multiple LED options, including 10W, 20W, and 30W low-cost ANP Modules. For higher performance needs, choose from 30W, 39W, 46W, 78W, 90W, and 120W models with ceramic-cooled TIR optics, delivering an impressive 101 to 117 lumens per watt with Type II, III, or V distribution and an 80 CRI.

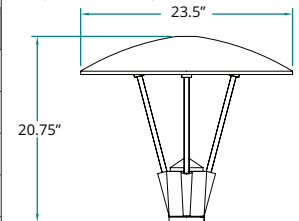
The LA210 Series is fully compatible with wireless control systems and features optional dimming down to 10%. All LED platforms in the collection boast a U0 BUG rating, ensuring full cut-off and minimal light pollution. Elevate your lighting design with the LA210 Series, where form meets function in a sleek, contemporary package.

Build a Product

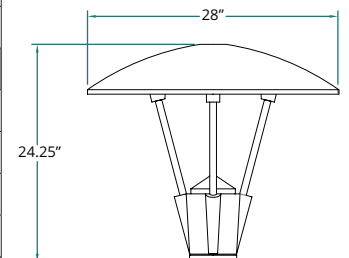
LUMINAIRES	
LA21	4-strut
SIZE	
1	LA2101, 19"
2	LA2111, 23.5"
3	LA2121, 28"
4	LA2131, 32"
ORIENTATION	
1	Post
WATTAGE	
AM10W	LA210 Only
AM20W	LA210 Only
AM30W	LA210 Only
CPS30W18	Ceramic Platform Small, 30W, 18 LED
CPS39W18	Ceramic Platform Small, 39W, 18 LED (CA Title 24)
CPS46W18	Ceramic Platform Small, 46W, 18 LED
CPM78W30	Ceramic Platform Medium, 78W, 30 LED (Size 2 and 3 only)
CPM90W36	Ceramic Platform Medium, 90W, 36 LED (Size 2 and 3 only)
CPL120W48	Ceramic Platform Large, 120W, 48 LED (Size 3 only)
OPTICS	
T2	Type II
T3	Type III
T4	Type IV
T5	Type V (AM10W, AM20W, AM30W ARE T5 ONLY)
CCT COLOR TEMPERATURE	
27K	2700K
30K	3000K
35K	3500K
40K	4000K
50K	5000K (consult factory)
ACCESSORIES	
PC	Dusk-Till-Dawn Button Photocell
TLPC	ANSI C136.41 Receptacle & Dusk-Till- Dawn Photocell
TL5	ANSI C136.41 5-Pin photo-control Receptacle only
TL7	ANSI C136.41 7-Pin photo-control Receptacle only
FINISH	
Visit anplighting.com/resources/color-finishes	



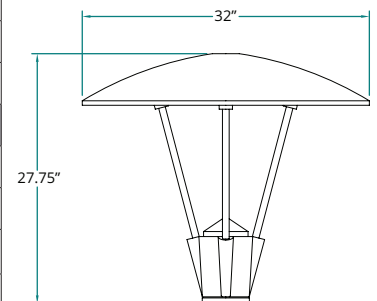
LA2101
4-strut, 10-30W
module, post mount
Size 1
(AM10W, T5) B0-U0-G0
(AM20W, T5) B1-U0-G0
(AM30W, T5) B1-U0-G0



LA2111
4-strut, 46W
module, post mount
Size 2
(46W, T3) B1-U0-G1
(46W, T5) B3-U0-G1



LA2121
4-strut, 78W
module, post mount
Size 3
(78W, T3) B2-U0-G2
(78W, T5) B3-U0-G2



LA2131
4-strut, 120W
module, post mount
Size 4
(120W, T3) B2-U0-G2
(120W, T5) B3-U0-G2

Product Number Example

LUMINAIRE	SIZE	ORIENTATION	WATTAGE	OPTICS	COLOR	ACCESSORY TEMP	SHADE FINISH	FITTER STRUT FINISH
LA21	2	1	CPM78W30	T5	40K	PC	72	78





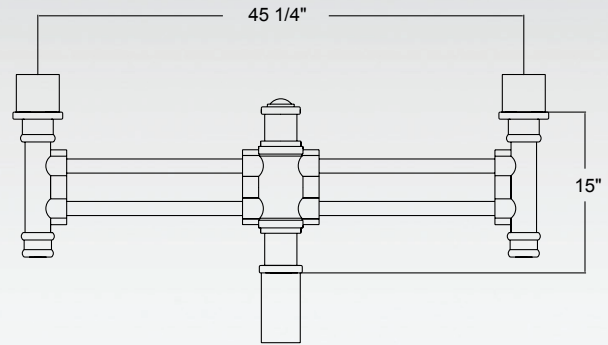
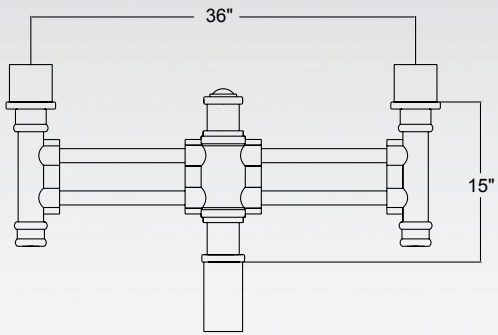
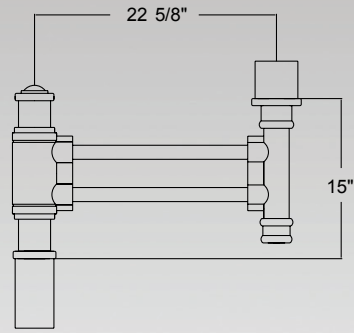
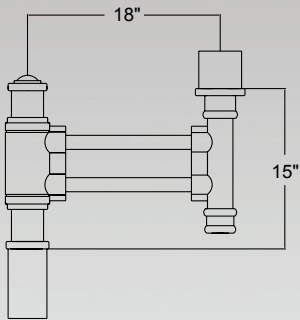
LA2121
PA2141-2



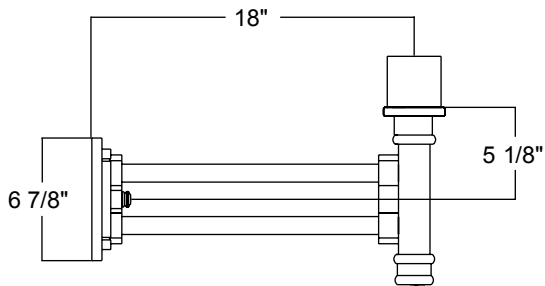
LA2131
PA2151-2

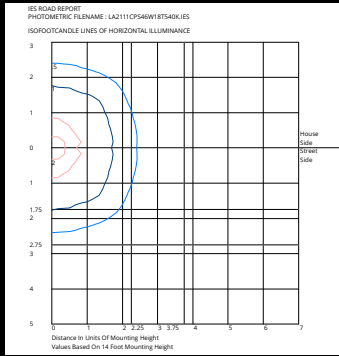
210 Series Mounts

Post Arms | Available in 2 sizes | PA2141-2 | PA2151-2



Wall Mount | Available in 1 style | LA211-1 WM214-1



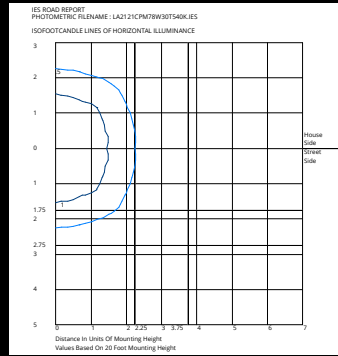


LA2111-CPS46W18-T5-40K

Delivered Lumens – 5,580

Mounting Height – 14 ft.

B3-U0-G1

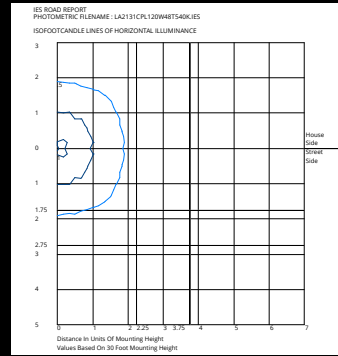


LA2121-CPM78W30-T5-40K

Delivered Lumens – 9,462

Mounting Height – 20 ft.

B3-U0-G2

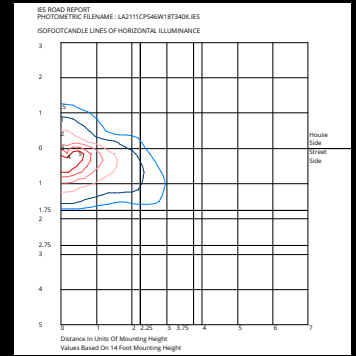


LA2131-CPL120W48-T5-40K

Delivered Lumens – 14,557

Mounting Height – 30 ft.

B4-U0-G2



LA2111-CPS46W18-T3-40K

Delivered Lumens – 5,147

Mounting Height – 14 ft.

B1-U0-G1

MLO and BUG Rating Guide

The Model Lighting Ordinance (MLO) is a guide for environmentally responsible outdoor lighting in North America and is the result of extensive efforts by the International Dark Sky Association (IDA) and the Illuminating Engineering Society of North America (IESNA).

Download this [BUG Rating Quick Reference Guide](#) from our Resource Library.

Since 1985, ANP Lighting has been inspiring and empowering innovative lighting solutions.

Today, ANP Lighting is a leading manufacturer of energy efficient architectural lighting solutions for corporate/office, municipal, education, sports and entertainment, hospitality, and retail applications. We expertly configure and manufacture interior, exterior, site, pedestrian, and roadway lighting that aligns with aesthetic vision and beautifully illuminates design details.

Our extensive line of lighting products and collections is complemented by a wide array of mounting, size, and color options – one of the largest selections in the industry. Our in-house lighting experts can help architects, designers, and specifiers develop lighting solutions with the high quality, craftsmanship, and value only products made in the U.S.A. can deliver.



Marine grade finishes are available. Colors shown may differ slightly from painted color.



Made in U.S.A. | A Family-Owned Business Since 1985



800-548-3227 | 909-982-1807

9044 Del Mar Avenue, Montclair, CA 91763

August 2024