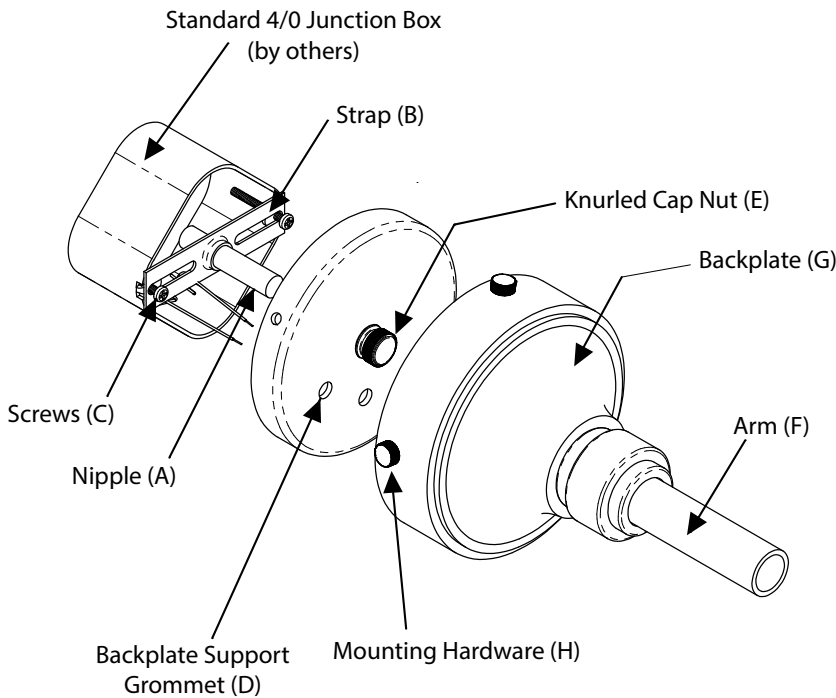


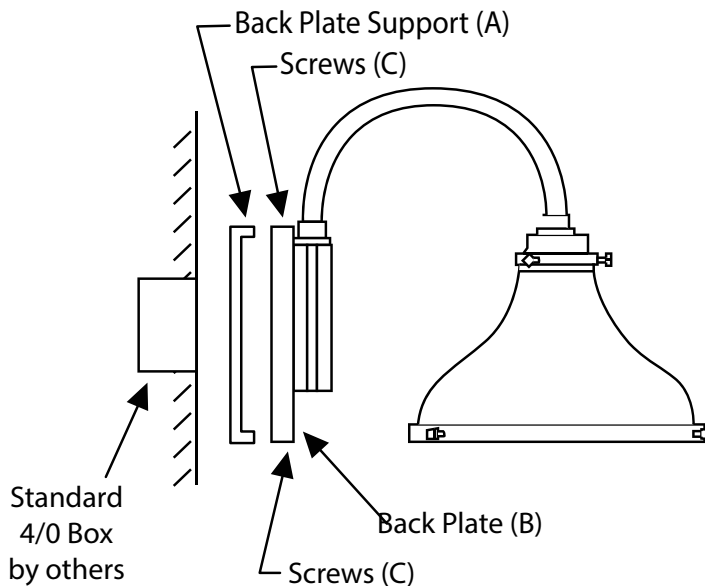
IMPORTANT Safety, Warning and Suggestions

1. Qualified electrician is required to install this product/s.
2. Please read instructions carefully before installation.
3. All wiring and installations should meet local, state and national electrical codes.
4. Install correct lamp type and wattage.



1. **Prior to installation, disconnect power at main electrical box.**
2. Thread nipple (A) into strap (B) as shown, allowing approximately 3/4" below strap.
3. Attach strap (B) to junction box using screws (C).
4. Bring J-box wiring, including ground wire, through either grommet in back plate support (D).
5. Slip back plate support over nipple and attach with knurled cap nut (E) provided.
6. Verify that lead wires from shade are long enough for arm (F) provided.
7. Feed lead wires through arm and thread shade onto arm.
8. Place arm into back plate (G) and tighten set screws (H). Use Loctite for most secure connection.
9. Make wiring connections.
10. Slip back plate over back plate support and attach using mounting hardware (I) provided.

Wall Mount

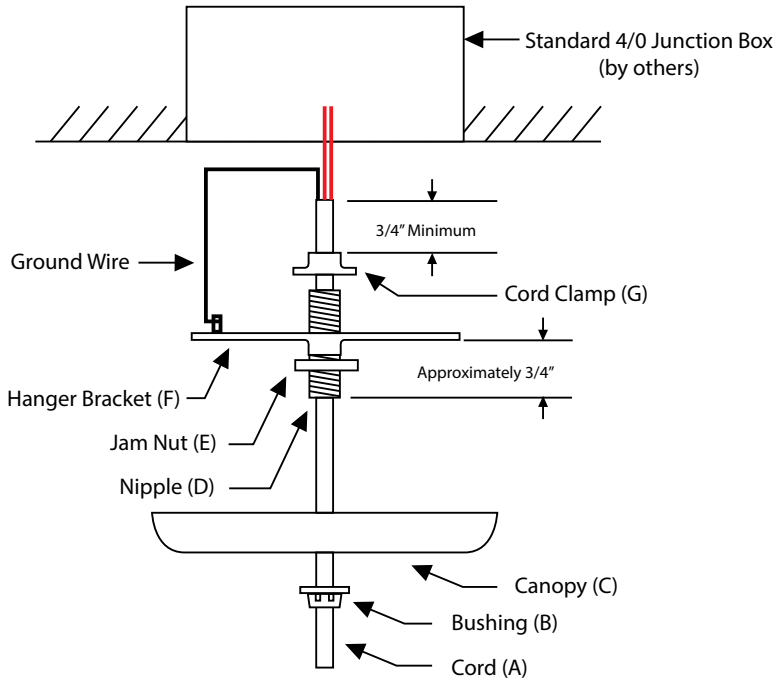


1. **Prior to installation, disconnect power at main electrical box.**
2. Bring J-box wiring, including ground wire, through back plate support (A) and attach to junction box.
3. If required, lag back support plate to wall with hardware by others.
4. Make wiring connections.
5. Place back plate (B) over back plate support and tighten screws (C). Use Loctite for most secure connection.

IMPORTANT Safety, Warning and Suggestions

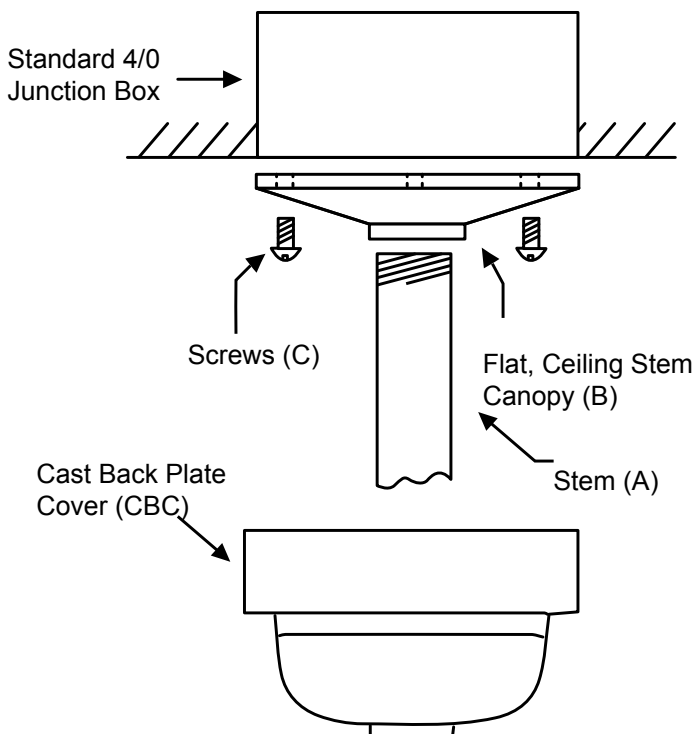
1. Qualified electrician is required to install this product/s.
2. Please read instructions carefully before installation.
3. All wiring and installations should meet local, state and national electrical codes.
4. Install correct lamp type and wattage.

Cord Mount



1. **Prior to installation, disconnect power at main electrical box.**
2. Thread nipple (D)/jam nut (E) into strap as shown, allowing approximately 3/4" below strap. Tighten jam nut.
3. Pull cord (A) through bushing (B), canopy (C), nipple (D)/jam nut (E)/hanger bracket (F) as shown.
4. Pull cord thru hanger bracket to adjust height, position cord clamp (G) with flange down, near nipple and use pliers to tightly crimp the cord clamp.
5. Hold bracket to canopy to check fixture height.
6. Cut wires to provide 6" pigtail with junction box. Jacket can be cut back to 3/4" from clamp.
7. Make power and ground wiring connections.
8. Slip canopy over nipple and secure with bushing. Adjust nipple as needed so canopy is flush to ceiling.

Stem Mount with RTC Plate



1. **Prior to installation, disconnect power at main electrical box.**
2. Verify that lead wires from shade are long enough for stem (A) provided.
3. Feed lead wires through stem and thread shade onto stem.
4. If Cast Back Plate Cover (CBC) is provided, slide over stem (A).
5. Screw Stem into Flat Ceiling Stem Canopy (B).
6. Make wiring connections according to national and local codes.
7. Attach Flat Ceiling Stem Canopy with stem assembly to Junction box with screws (C) provided.
8. If provided, place CBC over Flat Ceiling Stem Canopy (B) and tighten set screw.